

**Weidmüller**



***New relays from Weidmüller.***

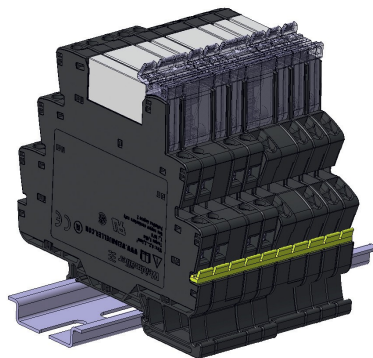
**DRL Series**



**DRR Series**



**Term Series**



**Quador**  
(Aust) Pty Ltd

# Weidmüller

## DRL Series

**DRL** relay use AgCdOas contact material , its switching capacity is higher than general relay . This is a relay built to switch medium/ small AC inductive loads, such as AC motor, electrical valves, lights & heater.

### Features

Input voltage : 12~220Vdc, 24~230Vac:

Output:10A @ 250Vac / 2CO & 4CO

With LED & contact position indicate

Provide RC & wheel diode function module

UL, CE, TUV, RoHS compliance

## DRR Series

Optical power relay. The **DRR** style relay is widely used in machinery, transport & Power segment due to its anti-interference capacity on the coil.

### Features

Input voltage: 12~220Vdc, 24~230Vac:

Output: 10A @ 250Vac 2CO/3CO

Round Pin: 8 and 11

With LED & contact position indication

RC & wheel diode function module

CE, TUV, RoHS compliance

*Competitively priced.*

## TERM Series

### Term Series

1 CO, 1CO Au contacts, AgNi/AgNi 5u Au 300V rated voltage. Available in 5VDC,12VDC,24VDC,24VUC & 24-230VUC.

### Features

Space saving 6.4mm wide.

Unique lever design with fibre optic.

Symmetric design for Input/Output solutions.

For further information or full data sheets please

contact Quador on; **03 9874 7388** or [sales@quador.com.au](mailto:sales@quador.com.au)

16-18 Queen Street, Nunawading.

VIC. 3131 Australia

[www.quador.com.au](http://www.quador.com.au)

*Stock now available.*

**Quador**  
(Aust) Pty Ltd